

SOPRASOLAR FIX ALU PEDESTAL

The **SOPRASOLAR FIX ALU PEDESTAL** is an element of the **SOPRASOLAR FIX ALU** system (rigid photovoltaic system installed on top of the roof waterproofing membrane).

Presentation

The **SOPRASOLAR FIX ALU PEDESTAL** consists of a 250 grade weldable flange, a height adjustable pedestal and a top plate.

It allows **SOPRASOLAR FIX ALU RAILS** to be connected to the waterproofing membrane without perforating it.

Constituent parts

	SOPRASOLAR FLANGE 250
Reinforcement	Non-woven polyester 250 g/m ²
Elastomer bitumen binder	Mixture of bitumen and thermoplastic polymers SEBS
Min. thickness	4.7 mm
Dimensions	300 ^{±1} mm x 300 ^{±1} mm
Mass (indicative)	0.6 kg approx.
Top surface	Slate chippings
Interior surface	Hot melt film

	ADJUSTABLE PEDESTAL
Material	Polypropylene
Height	adjustable from 60 mm to 90 mm
Fastening to fixing flange	4 Soprafix washers 4 M6 stainless steel
Top plate fixing	Retaining washer + stainless steel rivet
Min. bearing surface	Diameter 250 mm

	TOP PLATE
Composition	Aluminium 5754
Diameter	Min. 150 mm
Thickness	3 mm

Characteristics

	SOPRASOLAR FIX ALU PEDESTAL
Dimensions (overall)	300 mm x 300 mm x 60-90 mm
Mass	1.2 kg approx.
Pull-off strength	1000 N minimum
Resistance to outdoor conditions	Coastal salt spray atmosphere permitted Needs to be protected from UV

		SOPRASOLAR FLANGE
Maximum tensile force (EN 12311-1) - Longitudinal - Transverse	MLV	800 N/5 cm 800 N/5 cm
Elongation at maximum load (EN 12311-1) - Longitudinal - Transverse	MLV	40 % 40 %
Resistance to nail tearing (N/mm ²) (EN 12310-1) - Longitudinal - Transverse	MLV	250 N 250 N
Flexibility at low temperature (EN 1109)	MLV	No cracks at -10 °C
Softening point (EN 1110)	MLV	95 °C
Static puncture resistance (NF P 84-352)	MLV	25 kg (L4)
Dynamic puncture resistance (NF P 84-353)	MLV	20 J (D3)
Peel resistance of joints with SOPRALENE FLAM 180 AR waterproofing membrane (EN 12316-1) - New - After ageing (28 days at 80 °C)	MLV	100 N/5 cm 100 N/5 cm

MLV : Manufacturer's Limit Value: minimum value liable to be provided under the quality system

Use & application

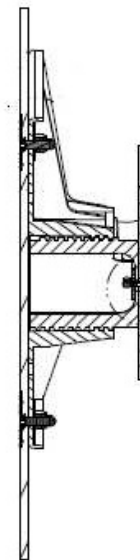
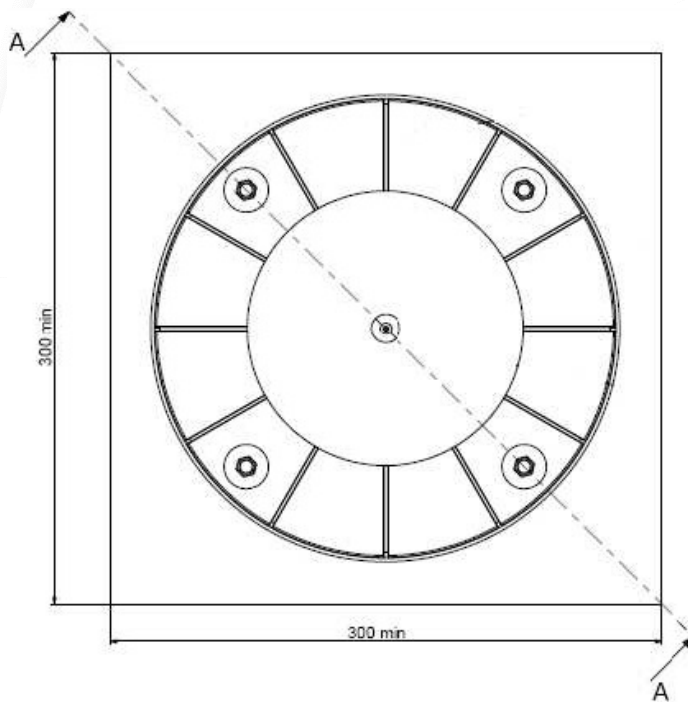
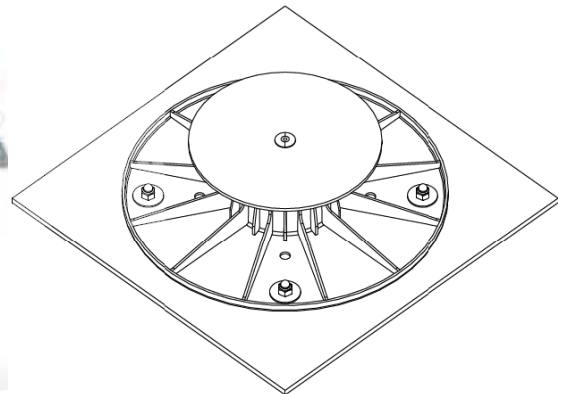
The **SOPRASOLAR FIX ALU PEDESTALS** must be stored on a flat surface, protected from the weather and away from significant temperature variations.

SOPRASOLAR FIX ALU PEDESTALS must be installed in accordance with the recommendations of the **SOPRASOLAR FIX ALU** Installation Specifications and the installation guide provided by **Soprasolar**.

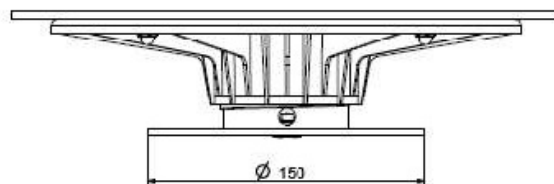
Specific information

Health, safety and the environment:

The **SOPRASOLAR FIX ALU PEDESTALS** do not contain any hazardous components. Generally they meet all health, safety and environmental requirements.

Illustration

SECTION A-A



SOPRASOLAR – 62, rue Transversale – F- 92238 GENNEVILLIERS CEDEX

Tel : +33 (0)1 46 88 01 80 - Fax: +33 (0)1 46 88 01 89

www.soprasolar.com • E-mail : contact@soprasolar.com

Soprema UK • COLCHESTER - Essex - C06 2NS • www.soprema.co.uk • info@soprema.co.uk • Tel. +44 08451 948 727

Soprema IRELAND • Tallaght - DUBLIN 24 • www.soprema.ie • info@soprema.ie • Tel. +353 01 405 77 96

SOPREMA
GROUP