



**WATERPROOF
NEW
CONCRETE
AS LITTLE
AS 7 DAYS
AFTER
POURING!**

CONCRETE
COMPOUND

SOPRADVANCE



SOPRADVANCE CONCRETE COMPOUND

WATERPROOFING EXPERTISE

Worldwide leader in the field of waterproofing and insulation systems, **SOPREMA** is recognised for high quality products and technical expertise. For over 100 Years, **SOPREMA** has been known for its utilisation of advanced research and development capabilities that do not follow trends, but set the mark for the competition to follow.

SOPRADVANCE Concrete Compound has been developed to meet the changing needs of the construction industry, which is increasingly becoming a more demanding and extremely competitive environment; with tight construction schedules and significantly reduced margins, fast track and efficient building materials are crucial to contributing to meeting these increasing demands.

WATERPROOFING NEW CONCRETE

A 28 day cure time is generally specified for newly poured concrete, as it is generally believed that the integrity and final strength of concrete is achieved through a well-managed cure process. **SOPRADVANCE** concrete compound can be applied directly to the new concrete surface, as little as 7 days after pouring.

SOPRADVANCE Concrete Compound allows **Soprema** waterproofing systems to be installed directly onto the substrate, eradicating an additional 21 days wait until final cure. This concrete solution can offer considerable cost and time savings on construction programmes and make a significant contribution to meeting the ever increasing demands of the UK construction industry.

SOPRADVANCE Concrete Compound is a rapid curing formula that forms a barrier against capillary rising moisture, on concrete substrates with high residual moisture content.



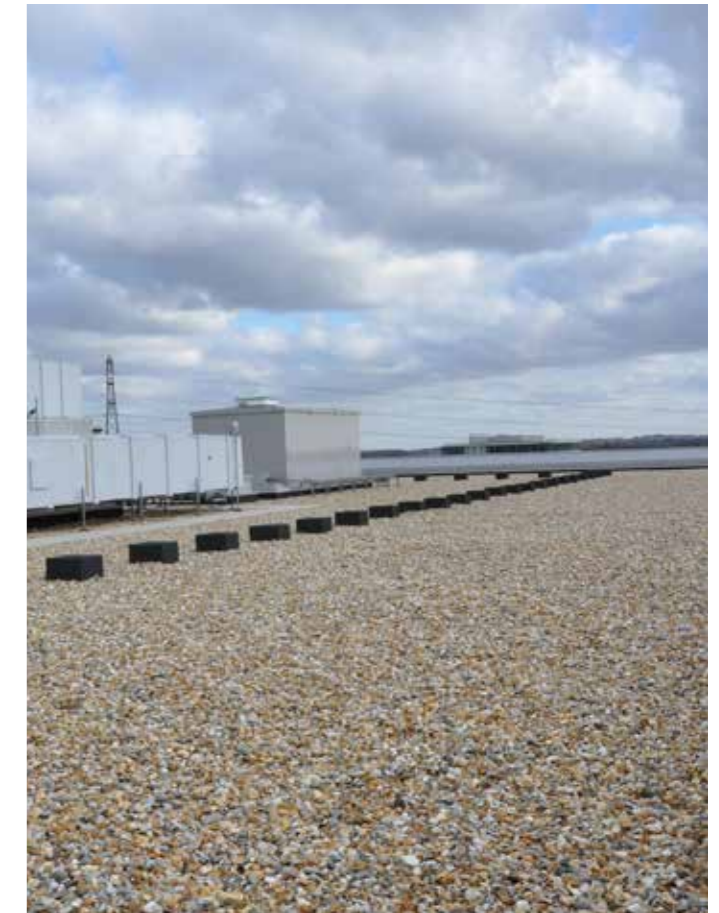
SOPRADVANCE ADVANTAGES

- + Minimise construction downtime
- + Accelerated project schedules
- + Save up to 21 days waiting
- + Fast track roofing & waterproofing
- + Soprema waterproofing compatible



SOPRACOVER WARRANTY

SOPRADVANCE Concrete Compound and Soprema waterproofing systems are covered by the single-point Sopracover warranty, the term of the warranty is determined by the system specified. All **SOPREMA** products are installed by approved contractors to ensure a consistent standard of workmanship. There are no minimum surface area or project value requirements to qualify for the Sopracover warranty.



TECHNICAL SERVICE

Technical expertise is a key strength of **SOPREMA**, technical experts are available to assist you from design right through installation, providing the following services:

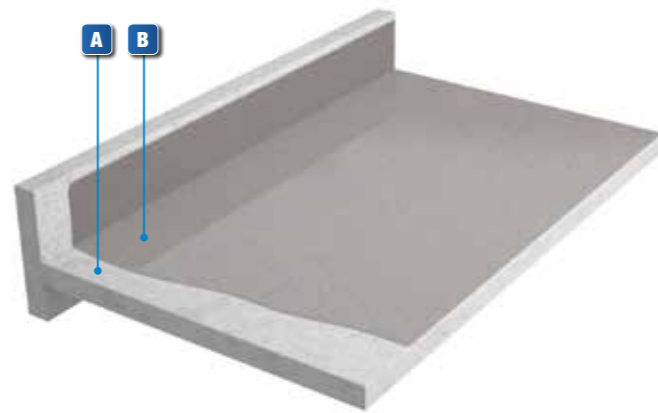
- » Design consultations and advice for new build projects
- » Moisture testing
- » CAD Details
- » Educational seminars
- » Detailed project specifications
- » Interim and completion site inspections

SOPRADVANCE APPLICATIONS



APPLIED DIRECTLY TO NEW CONCRETE

SOPRADVANCE CONCRETE COMPOUND is applied directly to the newly poured concrete as little as 7 days after pouring, enabling the treated surface to be waterproofed as soon as 8 days after the concrete has been poured.



A	New concrete substrate
B	SOPRADVANCE concrete compound

SOPRADVANCE

SOPRADVANCE concrete compound is used for the pre-treatment of new concrete substrates. It is a fast-curing, 3 component compound that is intended for installation on new concrete.

- » Fast-curing
- » Easy to apply
- » Very good adhesion on absorbent substrates
- » Resistant to rising moisture
- » Hydrolysis and alkali resistant
- » Interim and completion site inspections



PODIUM DECKS

SOPRADVANCE concrete compound can be applied to concrete podium deck substrates, for subsequent SOPREMA DUOFLEX structural waterproofing systems.



FLAT ROOFS

SOPRADVANCE concrete compound can be applied to concrete flat roof substrates for subsequent SOPREMA bituminous, ALSAN PMMA liquid or FLAG single-ply waterproofing applications.



INVERTED FLAT ROOFS

SOPRADVANCE concrete compound can be applied to concrete flat roof substrates, for subsequent SOPREMA DUOFLEX structural waterproofing systems.



PARKING

SOPRADVANCE concrete compound can be applied to concrete parking substrates, for subsequent ALSAN PMMA waterproofing / surfacing application.



BALCONIES

SOPRADVANCE concrete compound can be applied to concrete balcony substrates, for subsequent ALSAN PMMA waterproofing application.



PEDESTRIAN TRAFFIC

SOPRADVANCE concrete compound can be applied to trafficable concrete substrates, for subsequent ALSAN PMMA surfacing system applications.

SOPRADVANCE COMPATIBLE WATERPROOFING

COMPATIBLE WATERPROOFING SYSTEMS

SOPRADVANCE CONCRETE COMPOUND is compatible with a wide range of waterproofing solutions available from SOPREMA. Amongst SOPREMA's single ply, liquid, and bituminous system offerings, this new product is particularly suitable for subsequent DUOFLEX hot melt application.

DUOFLEX structural waterproofing is BBA certified and can be installed at zero falls. This system is guaranteed to last the lifetime of the structure, therefore, further contributing to increasing demand for lower building lifecycle costs. This self-healing waterproofing system is ideal for phased works and provides a wide range of finishing options including ballasted, paved and green roof finishes. Substantial on site costs, time saving on project schedules and future lifecycle costs can be significantly reduced.

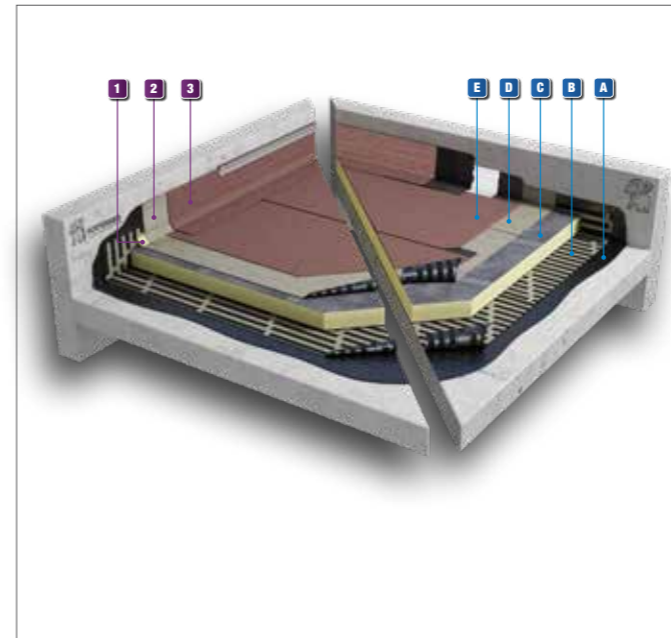
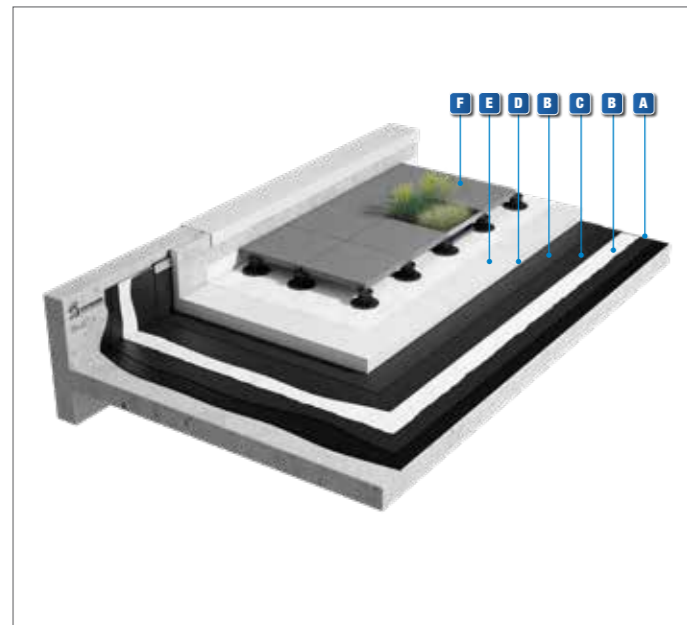
Alternatively, SOPREMA's liquid waterproofing could subsequently be installed after the SOPRADVANCE CONCRETE COMPOUND has been applied. This waterproofing system provides the opportunity to have a completely flame-free waterproofing BBA approved application.

CERTIFICATION

SOPREMA'S Structural, PMMA liquid, single-ply and bituminous waterproofing systems are all BBA certified. SOPREMA waterproofing systems are manufactured according to the principles of sustainable construction, respecting the environment, human resources and the economy.

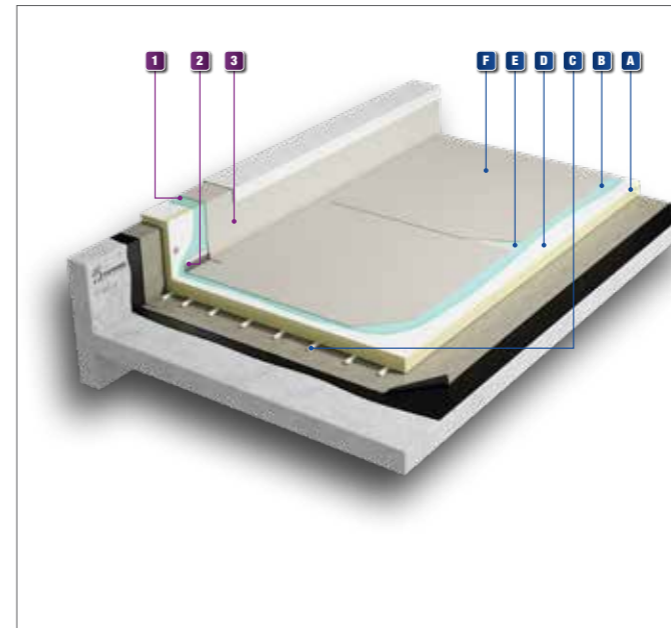
DUOFLEX STRUCTURAL WATERPROOFING

A	PRIMER	ELASTOCOL 500
B	WATERPROOFING	DUOFLEX
C	REINFORCEMENT	REINFORCEMENT FLEECE
B	WATERPROOFING	DUOFLEX
D	PROTECTION SHEET	SOPRALENE FLAM 180-25
E	THERMAL INSULATION	EFYOS XPS
F	FINISH	PAVING / BALLAST



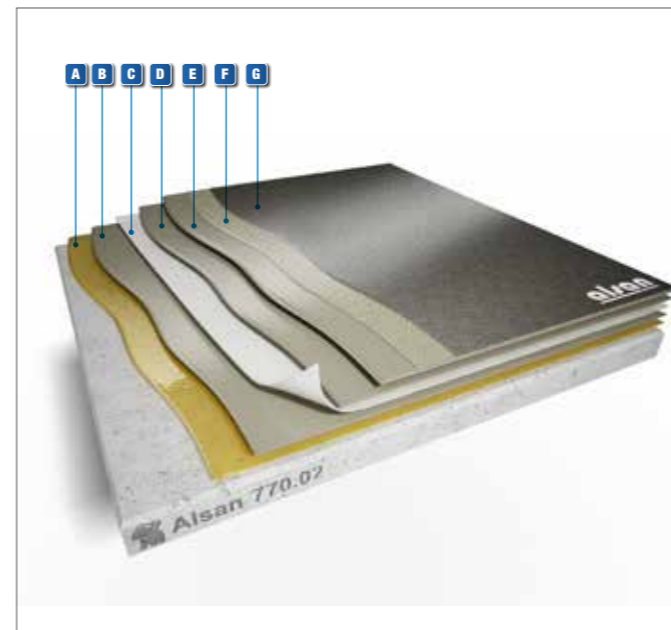
SOPREMA BITUMINOUS WATERPROOFING

A	PRIMER	SOPRADERE QUICK
B	VAPOUR LAYER	SOPRAVAP ALU ACTIVA 2
C	THERMAL INSULATION	SOPRATHERM T CTF
D	VENTED UNDERLAYER	VENTIROCK SBS 3TF
E	WATERPROOFING CAPSHEET	SOPRALENE OPTIMA
1	ANGLE FILLET	EFYOS MULTIFIX ANGLE FILLET
2	UNDERLAYER	SOPRALENE FLAM 250 TF
3	WATERPROOFING CAPSHEET	SOPRALENE OPTIMA



FLAGON SINGLE-PLY WATERPROOFING

A	PRIMER	SOPRADERE QUICK
B	VAPOUR LAYER	SOPRAVAP EVA 35
C	INSULATION ADHESIVE	COLTACK EVOLUTION CA
D	THERMAL INSULATION	SOPRATHERM G CTF
E	ADHESIVE	FLEXOCOL W LV
F	WATERPROOFING	FLAGON PVC SFC 1.5MM
1	ADHESIVE	FLEXOCOL C
2	METAL	FLAG PEEL STOP
3	WATERPROOFING	FLAGON PVC SV 1.5MM



ALSAN PMMA LIQUID WATERPROOFING

A	CONCRETE PRIMER	ALSAN 170
B	1ST WATERPROOFING LAYER	ALSAN 770
C	REINFORCEMENT FLEECE	ALSAN FLEECE P
D	2ND WATERPROOFING LAYER	ALSAN 770
E	WEARING LAYER	ALSAN 870 RS
F	QUARTZ SAND	ALSAN QUARTZ
G	FINISH LAYER	ALSAN 970 F

Layers E, F and G are optional, dependant on project requirements and surface use.



SOPREMA at your service:

Do you have a question about a specific project, the products or application possibilities? Then contact our technical team.

All information can be found on:
www.soprema.co.uk

SOPREMA UK

SOPREMA House
Freebournes Road
Witham, Essex, CM8 3UN

Tel : 0330 058 0668
info@soprema.co.uk
www.soprema.co.uk

