

FLAGON TPO Wall Outlet

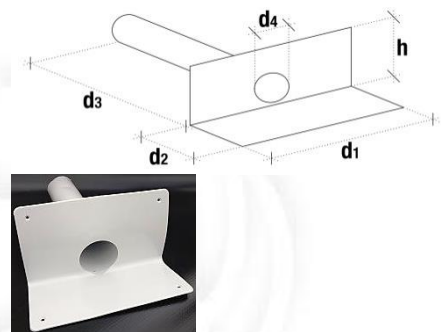
Description

The FLAGON TPO Wall Outlet is composed of modified polyolefin (TPO). FLAGON TPO Wall Outlets are used for the horizontal evacuation of rainwater through the wall from the roof surface. The outlet consists of a circular or a rectangular spigot and a flange. It is distinguished by a high resistance to weathering and UV-rays.

Characteristics & packing

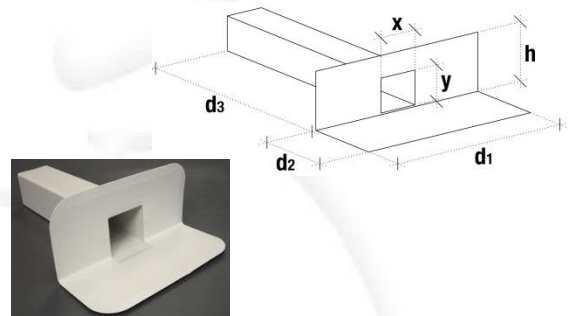
Round outlet

Width flange (d1) (mm)	300			
Horizontal part flange (d2) (mm)	130			
Length spigot (d3) (mm)	500			
Ø external (d4) (mm)	63	75	90	110
Vertical part flange (h) (mm)	175		210	
Thickness (mm)	3,0			
Pieces/box	10			



Rectangular outlet

Width flange (d1) (mm)	340	
Horizontal part flange (d2) (mm)	150	
Length spigot (d3) (mm)	420	
Internal width spigot (x) (mm)	65	100
Internal height spigot (y) (mm)	100	
Vertical part flange (h) (mm)	160	
Thickness (mm)	2,8	
Pieces/box	10	



Installation

Used for the horizontal evacuation of rainwater in combination with modified polyolefin (TPO) waterproofing systems. The flange is welded with hot air.

Special indications

Hygiene, Health and Environment

The product does not contain any substance which is likely to be detrimental to your health or to the environment and complies with generally admitted Health and Safety Requirements. For more information, please refer to the relevant safety data sheet.

Quality-, Environment- and Safety Management

SOPREMA always recognises as a high level of importance the quality of the products, the environment and safety. For this reason, we operate independently monitored Quality and Environment Assurance Systems in line with **EN ISO 9001** and **EN ISO 14001**.